

Swing Check Valve-200Psi



GENERAL CHARACTERISTICS

- Full bore
- Design:ASME B16.34
- Test:API 598
- End Connections:
Threaded End
- Threaded Type:
ANSI B1.20.1(NPT)
ISO 7/1(BSPT,BSP)

WORKING CONDITIONS

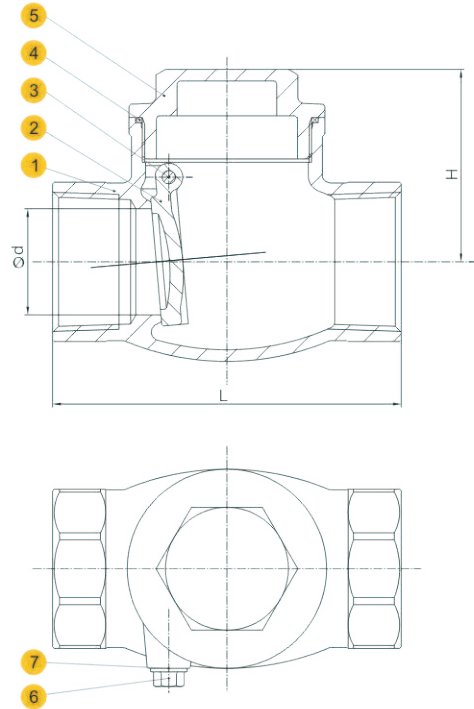
- Working Pressure:200Psi
- Temperature Range:-20° to 302°F
- Applicable medium:Water,Oil,Gas



MATERIALS LIST

7	BOLT	1	A351 CF8M
6	WASHER	1	PTFE
5	BONNET	1	A351 CF8M
4	GASKET	1	PTFE
3	DOWEL	1	SS316
2	DISC	1	A351 CF8M
1	BODY	1	A351 CF8M
NO.	DESCRIPTION	Q'TY	MATERIAL

Note:Please contact us for other material requirements.



DIMENSIONS-200PSI

Size	L	d	D	Weight(lb)
1/2"	2.56	0.59	1.63	0.62
3/4"	2.95	0.79	1.81	0.93
1"	3.54	0.98	2.13	1.41
1/4"	4.13	1.26	2.28	2.16
1 1/2"	4.72	1.5	2.62	2.98
2"	5.51	1.97	2.91	4.5
2 1/2"	6.5	2.52	3.5	7.94
3"	7.28	2.99	4.0	11.63

